

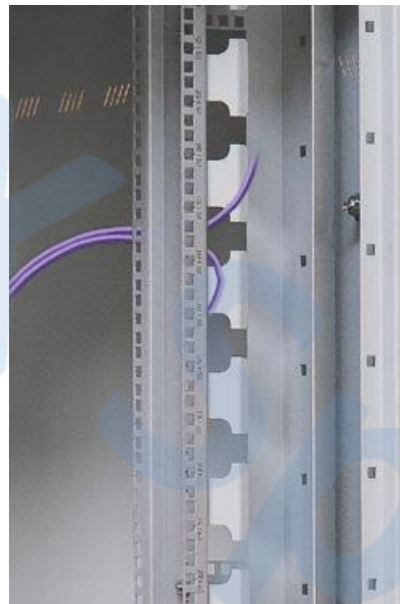


technical data sheet

Product code :	2011042
Description :	<u>PAIR OF CABLE MANAGEMENT PANELS 47U</u>

Pair of cable management panels with painted steel sheet structure complete with a snap-in cover, ideal for an easy and organized management of patch cords inside the cabinets. To be installed only on cabinets with a width of 800 mm. Suitable for floor and datacenter PRO cabinets.

CODE		DESCRIPTION	DIMENSIONS (mm)		
Grey	Black		W	D	H
2011042	2011042N	Pair of cable management panels 47U for PRO cabinets	121,4	77	2012



GENERAL FEATURES

- 15/10 painted steel sheet structure
- Color Gray RAL 7035 or Black 9005
- Mounting screws included
- Snap-in cover

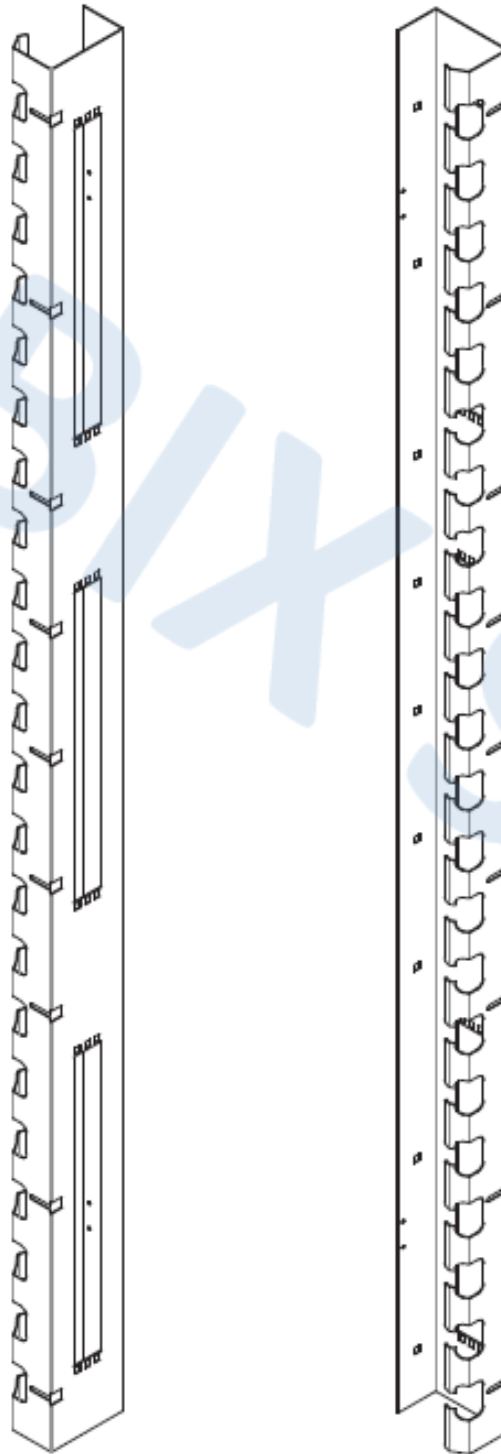
QUBIX S.p.A. Networking solutions – Via Canada, 22/A – 35127 Padova – Italy Tel. +39 049 7801994 – Fax +39 049 775667 – http://www.qubix.it	
Rev. 01-24	Qubix S.p.A. si riserva di apportare modifiche e migliorie in qualsiasi momento senza preavviso Qubix S.p.A. reserves the right to make changes and improvements at any time without notice



technical data sheet

Product code :	2011042
Description :	<u>PAIR OF CABLE MANAGEMENT PANELS 47U</u>

TECHNICAL DRAWINGS



QUBIX S.p.A. Networking solutions – Via Canada, 22/A – 35127 Padova – Italy
Tel. +39 049 7801994 – Fax +39 049 775667 – <http://www.qubix.it>

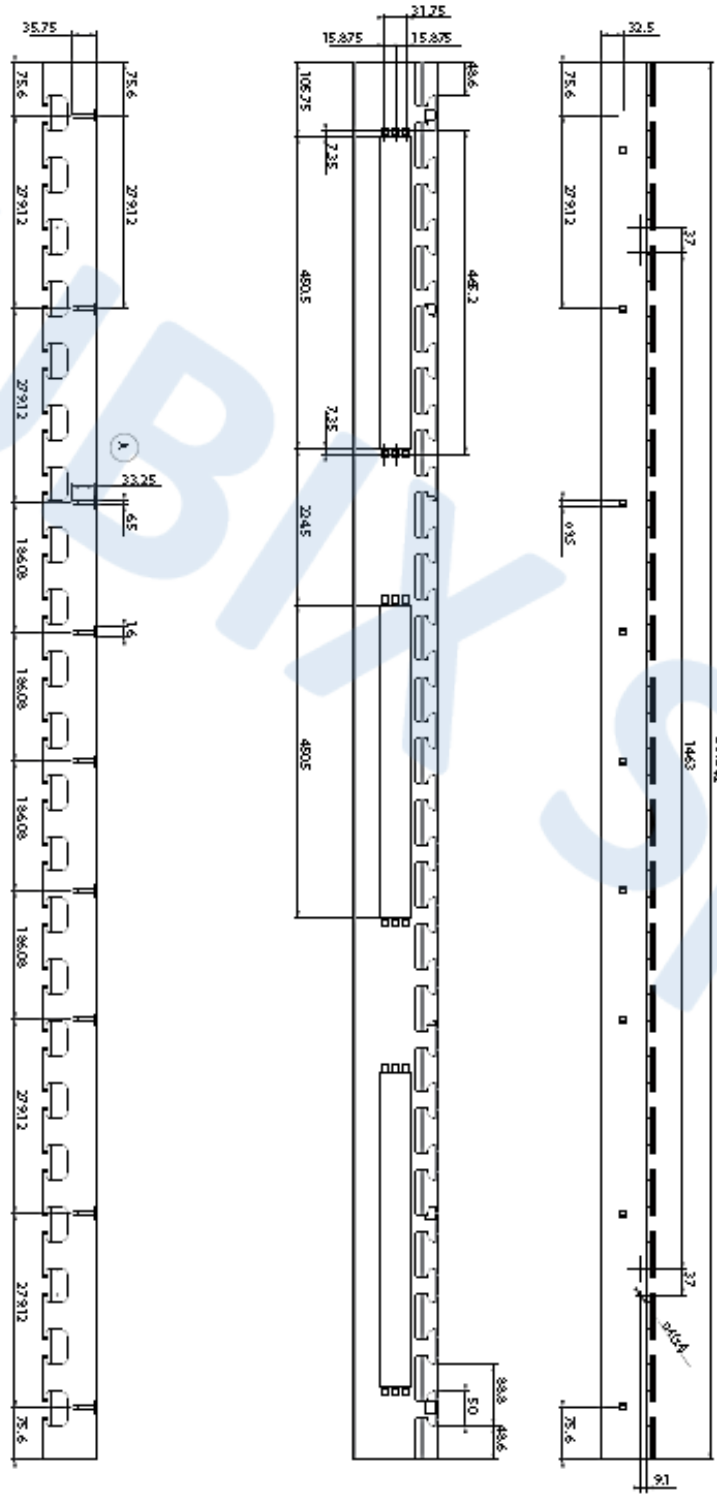
Rev. 01-24

Qubix S.p.A. si riserva di apportare modifiche e migliorie in qualsiasi momento senza preavviso
Qubix S.p.A. reserves the right to make changes and improvements at any time without notice



Product code :	2011042
Description :	PAIR OF CABLE MANAGEMENT PANELS 47U

TECHNICAL DRAWINGS

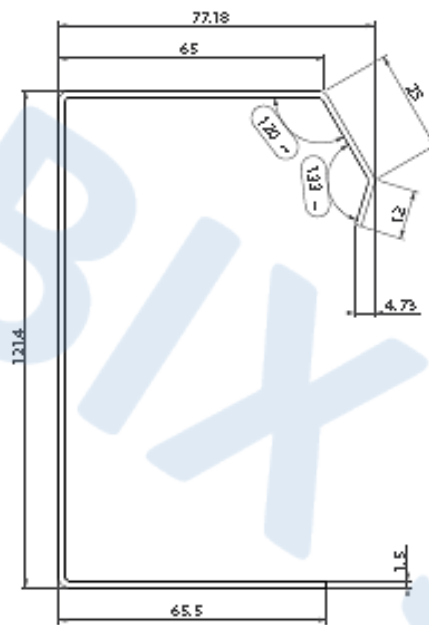




technical data sheet

Product code :	2011042
Description :	<u>PAIR OF CABLE MANAGEMENT PANELS 47U</u>

TECHNICAL DRAWINGS



QUBIX S.p.A. Networking solutions – Via Canada, 22/A – 35127 Padova – Italy
Tel. +39 049 7801994 – Fax +39 049 775667 – <http://www.qubix.it>

Rev. 01-24

Qubix S.p.A. si riserva di apportare modifiche e migliorie in qualsiasi momento senza preavviso
Qubix S.p.A. reserves the right to make changes and improvements at any time without notice